

## Important

The CDA Group Ltd cannot be held responsible for injuries or losses caused by incorrect use or installation of this product. Please note that CDA reserve the right to invalidate the guarantee supplied with this product following incorrect installation or misuse of the appliance or use in a commercial environment.

This appliance is not designed to be used by people (including children) with reduced physical, sensorial or mental capacity, or who lack experience or knowledge about it, unless they have had supervision or instructions on how to use the appliance by someone who is responsible for their safety.

Under no circumstances should any external covers be removed for servicing or maintenance except by suitably qualified personnel.

### **Appliance information:**

Please enter the details on the appliance rating plate below for reference, to assist CDA Customer Care in the event of a fault with your appliance and to register your appliance for guarantee purposes.

Appliance Model	
Serial Number	


### **EU Declarations of Conformity**

This appliance has been manufactured to the strictest standards and complies with all applicable legislation, including Electrical safety (LVD) 2014/35/EU and Electromagnetic interference (EMC) 2014/30/EU.

Parts intended to come into contact with food conform to 1935/2004/EC.

### **IMPORTANT INFORMATION FOR CORRECT DISPOSAL OF THE PRODUCT IN ACCORDANCE WITH EU DIRECTIVE 2012/19/EU.**

At the end of its working life, the product must be taken to a special local authority waste collection centre or to a dealer providing appliance recycling services.

Disposing of a household appliance separately avoids possible negative consequences for the environment and health. It also enables the constituent materials to be recovered, saving both energy and resources. As a reminder of the need to dispose of household appliances separately, the product is marked with a crossed-out wheeled dustbin. 

#### **Please note:**

- Ceramic hobs become hot and remain hot during and immediately after use. Do not touch the hob until it has been allowed to cool.
- Keep children away from the appliance when in use.
- Never use the hob top for storage.
- Pan handles should never stand out beyond the edge of the worktop. This will help to avoid children reaching them.
- Do not lean over the hob when it is in use.
- Follow the cleaning instructions carefully.
- Ensure the base of the saucepan is clean and dry before placing it on the hob.
- Avoid hard shocks from cookware – the vitroceramic glass surface is highly resistant but not unbreakable.

- Do not place hot lids flat on the hob top. A “suction” effect could cause damage to the hob.
- Do not drag cookware across the hob top: in the long term, this could cause damage to the hob.
- Do not store cleaning or flammable products in the unit below the hob.
- Always use appropriate cookware.
- Do not cook unopened tins of food directly on the hob.
- Never put cooking foil or plastic materials on the ceramic surface when the hob is hot. These materials could melt and cause damage to the hob.
- This hob (Class 3) has been designed for use only as a cooking appliance. Any other use should be considered incorrect and therefore dangerous.

## Important

- Do not use the hob if the glass surface is cracked or damaged to prevent the risk of electric shock. Disconnect it from the power supply.
- Ensure that the power cable of a connected electrical appliance near the hob is not in contact with the cooking zones.

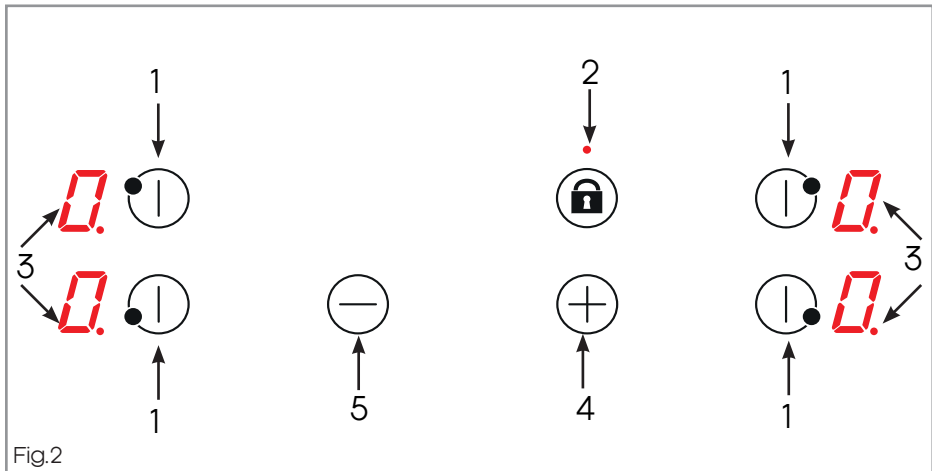
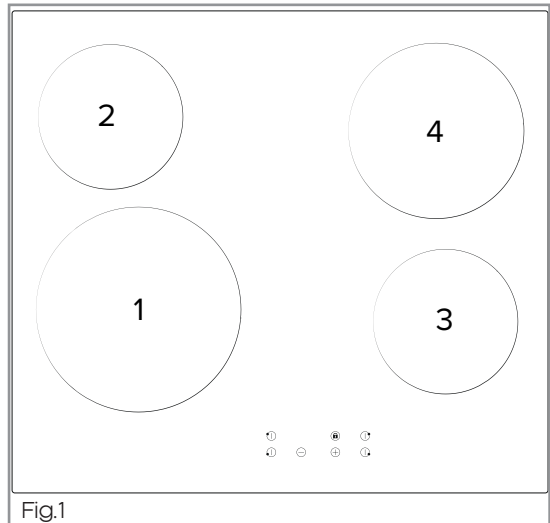
**Please note:** When connecting the hob to the power and switching it on for the first time the cooking zone displays may show the letter "**H**". This is not a fault and the letter "**H**" should disappear after each zone's use. Please see page 11 for more information.

The safety key lock may be active. Touch and hold the safety key lock sensor (2) until the LED indicator goes off.

## Using your hob

### Zones:

1. Front left 2.3kW 210 mm
2. Back left 1.2kW 145 mm
3. Front right 1.2kW 145mm
4. Back right 1.8kW 180 mm



### Control panel:

1. On/off sensors
2. Safety key lock sensor with LED
3. Cooking zone indicators
4. Plus setting selector
5. Minus setting selector

## **To switch the hob on/activate a zone and set a power level**

- To switch the power on, touch and hold the "On/off sensor" (1) ① for the desired zone for approximately two seconds. The hob will beep and the relevant cooking zone indicator will show "0".
- Use the plus or minus setting selectors to set the desired power level. The standard power levels range from 1 (minimum) to 9 (maximum). The hob will then begin heating.
- To adjust the power level on a zone at any time during use, press the "On/off sensor" (1) ① for that zone and use the plus or minus setting selectors to set the desired power level.

**Please note:** When switching the hob on after the appliance has been switched off at the mains, the cooking zone indicators may show, an "H" and the safety key lock may activate. This is normal. Simply press and hold the safety key lock sensor for approximately 2 seconds to disengage the lock and continue with normal operation. The indicators should disappear with each zone's usage (but will show after use if a zone is still hot to the touch).

**Please note:** If a power level is not set within approximately ten seconds of switching the hob on, the hob will switch off automatically.

## **To deactivate a zone**

- Simply press the "On/off sensor" (1) ① for that zone and touch the plus and minus setting selectors simultaneously. Alternatively, you can use the minus setting selector (5) to return the power level to 0. The cooking zone indicator will display a "0" to confirm that the zone is now inactive.
- If switching off multiple zones, the above step needs to be taken

for each zone. When all the zones are at "0", the hob will switch off automatically after approximately ten seconds.

- To switch off the zone immediately, touch and hold the "On/off sensor" (1) for approximately three seconds. The hob will be off when no zones are active.

**Please note:** Any zones that are still above 65°C will display an "H" provided the mains power supply is not interrupted.

### Operating time limiter

Each zone has an operating time limiter to increase overall efficiency and to prevent the hob from being left on indefinitely. If a zone's heat setting is not changed for a specific duration then the associated zone is automatically switched off and residual heat indicator activated. Zones can still be used as normal in accordance with the operating instructions. The operating time limiter is set according to the last selected heat setting. The maximum operating times for each setting can be found below.

Zone Power Level	1	2	3	4	5	6	7	8	9
Maximum Operating Time (hours)	10	5	5	4	3	2	2	2	1

# Auto-heat Function

All zones are equipped with an auto-heat function, which reduces the warming up time for the zone. Each power level has a limited time for which the auto-heat function can be used. A table showing these times is shown at the bottom of this page.

## To activate the auto-heat function on a zone

- Switch the desired zone on, if not already so, by touching the relevant cooking zone "On/off sensor" (1) ①. Next, touch the minus setting selector (5) to set the power level to 9. Then, touch the plus setting selector (4) and the cooking zone indicator should alternate between 9 and the letter 'A'. Finally, press and hold the minus setting selector (5) to set the desired auto-heat power level.

**Please note:** You can use the plus setting selector (4) to adjust the power level if you go too low but pressing the minus setting selector a second time will cancel the auto-heat function and you will have to start again.

## To deactivate the auto-heat function

- Simply touch the desired zone's "On/off sensor" (1) ① (if zone control is not already active) followed by the minus setting selector (5). The display will return the preset power level.

Zone Power Level	1	2	3	4	5	6	7	8	9
Maximum Operating Time (minutes)	1.11	2.44	4.47	5.28	6.29	1.11	2.44	2.44	--

**Please note:** The auto-heat function is not compatible with power level 9.

## Safety Key Lock

To prevent accidental use, the hob has a safety key lock which switches controls off temporarily or completely. The safety key lock can be activated when the hob is turned on but not when power has been switched off at, or the appliance disconnected from, the mains. The safety key lock is automatically activated after mains power supply has been restored.

### **To activate the safety key lock**

With the hob switched on, simply touch the safety key lock sensor (2) for approximately 2 seconds. The hob will beep and the safety key lock LED should illuminate. With either one or more zones actively heating the lock can still be activated. Simply press and hold the safety key lock sensor (2) for approximately 2 seconds. The hob will beep and the safety key lock LED should illuminate.

### **To deactivate the safety key lock**

Simply touch and hold the safety key lock sensor (2) for approximately 2 seconds. The hob will beep and the safety key lock LED should extinguish.

**Please note:** The safety key lock may activate when the power supply is activated for the first time. The safety key lock sensor LED will flash when you try to operate the hob if so. Simply deactivate the safety key lock as per the above step and proceed to use the hob as normal.



## Residual Heat Indicators

The hob is equipped with residual heat indicators to warn when any of the zones are still hot to the touch after use. An “**H**” will show if the relevant zone is 65°C or above. You should avoid touching any zone whilst the hob is in use or whilst residual heat indicators are displayed.

**Please note:** In the event of a power cut or failure, the residual heat indicators will illuminate after the power supply is restored. When there is no power supply to the hob however the residual heat indicators will not work, yet the hob zone(s) may still be hot, so extra care must be taken.

Residual heat indicators may show on one or more zone when the hob is activated for the first time. This is not indicative of a fault and they should disappear after the zone's use (and once the zone has cooled down).

## Efficient use of your Hob

The hob is equipped with zones designed to accommodate most shapes and sizes of pan. For best results, only use pans with flat bottoms. The most efficient use of the hob is shown below, where the pan and zone are correctly chosen. Use pan lids where possible to minimize the energy usage of your appliance.

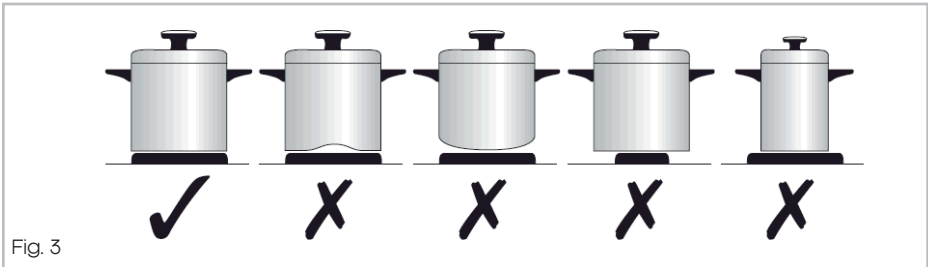


Fig. 3

Zone Size	Minimum Pan Size (mm)	Maximum Pan Size (mm)
Ø 140mm	125	165
Ø 180mm	160	200
Ø 210mm	190	230

Locating a pan in the centre of the zone markings will ensure optimum efficiency.

It is very important that the pans used on the hob are made of a suitable material and have the correct type of base. The base of the pan and the hob top must be clean before use to prevent any scratches on the hob top.

**Please note:** Extra care should be taken if cast iron pans are used as these have coarse bases which may damage the hob top.

## Care and Maintenance

Always disconnect the appliance from the power supply before undertaking any cleaning or maintenance.

### **Important:**

- Steam cleaners must not be used when cleaning this appliance.
- You should use a non-abrasive cleaner to clean the hob top. Any abrasive cleaner (including Cif) will scratch the surface and could erase the control panel markings.
- Sugar and starch can cause permanent damage to the surface of the hob. Wipe away any spillages immediately but be careful given that the hob top will be hot during and after usage.
- Avoid letting pans boil over where possible to ensure that the need for cleaning is minimal.
- Always use a soft sponge or cloth where possible. Utensils such as scouring sponges and some brushes could cause scratches to the hob top.

A cleaning guide is available on page 14.

Type of residue	Clean with	Cleaning advice
Light	Cleaning sponge and soft cloth	Wipe over the zone to be cleaned with a sponge and hot water, and then wipe off with a soft dry cloth.
Accumulated baked-on stains/ dirt, sugar spills or melted plastics	Cleaning sponge or glass scraper and soft cloth	Wipe over the zone to be cleaned with a sponge and hot water, using a ceramic scraper to remove any large marks or stains and then wipe off with a soft dry cloth.
Rings and hard water residues	White vinegar and soft cloth	Pour a small amount of warm white vinegar onto the stain, leave it to stand, and then wipe off with a soft dry cloth.
Shiny metallic streaks	Cleaning agent for vitroceramic glass	Use specialist vitroceramic glass cleaner (preferably one with silicone for its protective properties)

### **If your hob is not working:**

1. Check that the zone is switched on.
2. Check that the mains supply has not been switched off.
3. Check that the fuse in the spur has not blown.

In the event of a fault with the hob please advise CDA Customer Care.

### **Contact CDA Customer Care**

A: Customer Care Department, The CDA Group Ltd, Harby Road,  
Langar, Nottinghamshire, NG13 9HY

T: 01949 862 012                      F: 01949 862 003

E: [customer.care@cda.eu](mailto:customer.care@cda.eu)    W: [www.cda.eu](http://www.cda.eu)

# Troubleshooting

<b>Problem</b>	<b>Possible Causes</b>	<b>Possible Remedy</b>
The appliance does not work and no indicators are lit.	The appliance has no power	Check the fuse and replace if blown.
Sensor fields do not respond when touched.	Appliance is not turned on	Turn on the appliance
	A sensor field has been touched too briefly (less than a second)	Touch the sensor field again and for longer
	Multiple sensors have been touched/covered at the same time	Only touch one sensor field at a time unless instructed otherwise
	The safety key lock is engaged	Disengage the safety key lock as per pages 10
The appliance does not respond and emits an extended beep	Improper use (wrong sensor fields touched or touched too briefly)	Switch the appliance off via the on/off sensor and at the mains and then switch the power and appliance on again
The appliance switches itself off	No heat level has been set within 10 seconds of activating the appliance	Switch on the appliance and set zone and heat setting without delay
	Sensor fields covered or dirty	Uncover or clean the sensor fields
A cooking zone switches itself off and a residual heat indicator is shown.	Operating time limiter has activated.	Nothing (see page 8)
	Sensor fields covered or dirty	Uncover or clean the sensor fields
	Electronic components have overheated	Nothing. Allow appliance to cool.

Problem	Possible Causes	Possible Remedy
Residual heat indicator has extinguished despite zone(s) still being hot.	The appliance has no power or the residual heat timer has expired (page 11).	Check the fuse and replace if blown.
Hob top is broken, cracked and/or chipped.	Stop using the appliance immediately and switch the appliance off at the mains. Contact CDA Customer Care to arrange a repair (contact details on page 14).	
A fault has not been resolved by any suggested remedies or a fault code is displayed	Contact CDA Customer Care using the contact details on page 14 to arrange a service visit.	

**Should any error code show on the zone displays, or the above steps not resolve an issue, please contact CDA Customer Care for assistance. Contact details are on page 14.**

**IMPORTANT - PLEASE NOTE:** In the event of any breakage, crack or cracking – even minimal – of the vitroc ceramic glass, immediately disconnect your appliance to prevent a risk of electric shock and contact CDA Customer Care.

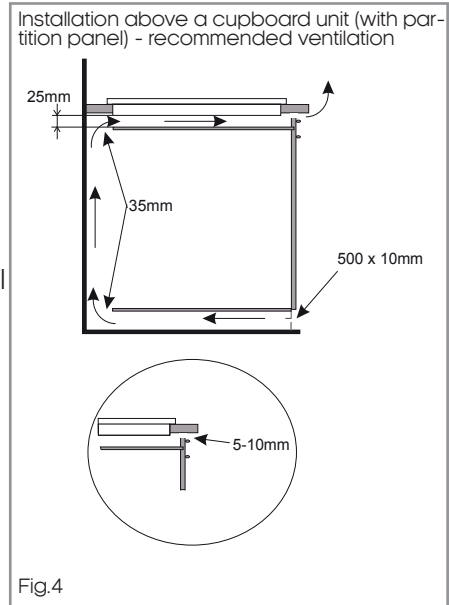
# Installation - preparation

## Unpacking the hob:

Take care not to lose, drop or mishandle any parts.

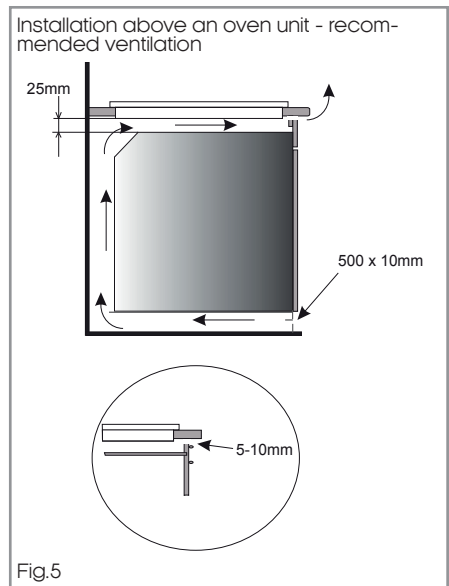
## Fitting position of the hob:

This appliance must be installed a minimum of 50mm from any back wall and a minimum of 55mm away from any adjacent vertical surfaces, e.g. a tall cupboard end panel. These dimensions are shown in Fig. 8 on page 19. If installing the hob in a cupboard unit, then we recommend the use of a partition panel.



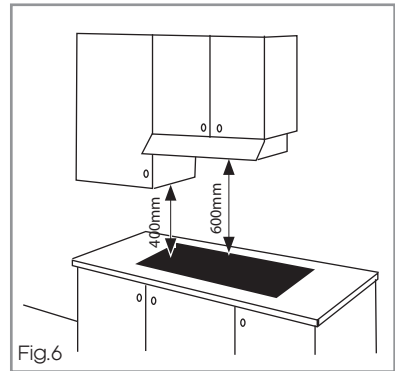
## Ventilation requirements:

This appliance must be installed to allow air to flow freely to the air intake and from the air outlet. An air gap of 25mm is recommended immediately below the hob. Failure to allow sufficient ventilation could cause problems with operation or damage to the hob and constitutes incorrect installation, which is not covered by the product's warranty (Figs. 4 and 5).



### **If fitting a CDA cooker hood above the hob:**

If a CDA cooker hood is to be installed above the hob, the height of the hood above the hob must be at least 600mm (650mm is recommended) (Fig.6). If the instructions supplied with the hood dictate that the hood must be installed at a height greater than 600mm, then that height is the minimum required.



### **Wall furniture requirements:**

The minimum height of any cabinet immediately above the hob is 900mm. The minimum height of any adjacent units (including light pelmets) is 400mm, unless they are manufactured from a material resistant to fire (steel, for example).

### **Important notes:**

- Do not position this appliance above a refrigeration unit. The heat generated may cause the refrigeration unit to fail.
- This appliance is designed to be installed into cabinet units and worktop capable of withstanding temperatures of 100°C or greater.
- Never place perishable foods, cleaning products or flammable items in the cupboard below the appliance.
- If the hob is to be located above a working drawer, we recommend that the drawer is not used for storing soft items, for example dusters or towels; this is to minimise the risk of the cooling system air intakes being obstructed.
- Worktops and furniture must be resistant to temperatures of 100°C +.



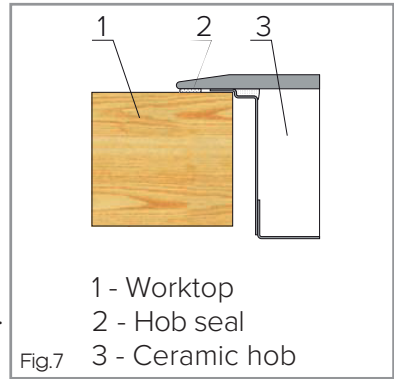
# How to Install the Hob

## Overall dimensions of the hob:

Width: 576 mm Depth: 518 mm

## Worktop cut-out dimensions:

Width: 560 mm Depth: 490 mm



1. Make the required hole in the worktop.

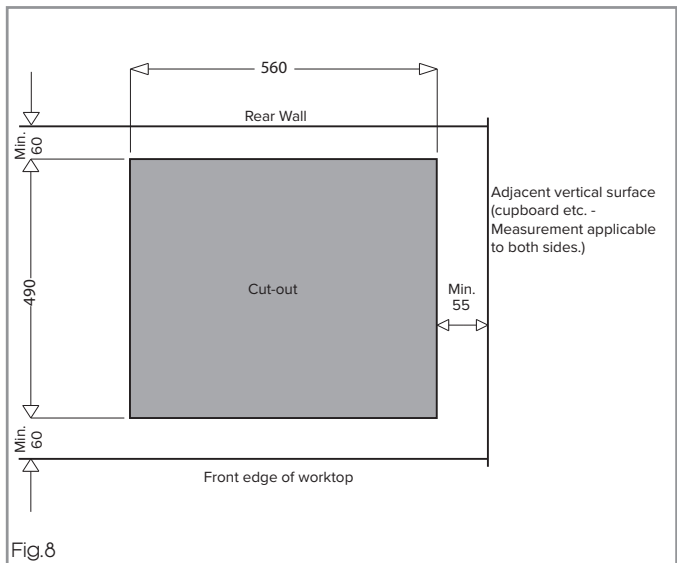
Before doing this, you must check the

instructions supplied with any cooker hood to ensure that you will have the required clearance. The cut-out (Fig.8) shows a 60mm gap from the worktop edge, and back wall, to the cut-out edge. The distance from the hob, when fitted, to the back wall is to be 50mm.

If a splashback/worktop upstand is to be fitted, take this into account when cutting the hole. The minimum distance that the hob should be positioned away from the rear wall or splashback is 50mm.

2. Make sure that

the worktop is clean and dust free and insert the hob into the cut-out opening. Press the hob firmly into place so that the seal connects with the worktop (Fig.



7).

## If fitting the hob into a 28-40mm worktop:

The four fixing clips supplied should be used. If fitting the hob into a thin worktop (i.e. 28mm), then we recommend using four 15x15x50mm wooden batons in addition to the brackets (as per figs. 9 and 10).

Position the fixing brackets perpendicularly to the hob's edge and tighten firmly. **Do not use power tools to do this.**

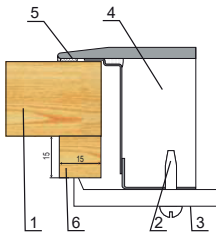


Fig.9

1. worktop
2. screw
3. fixing bracket
4. hob
5. seal
6. wooden block

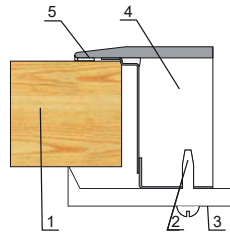


Fig.11

1. worktop
2. screw
3. fixing bracket
4. hob
5. seal

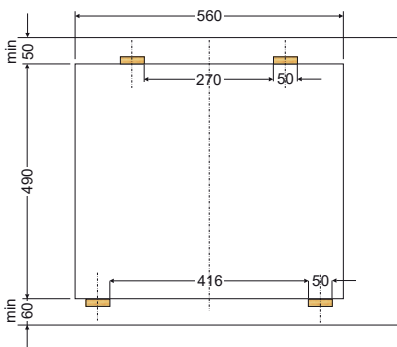


Fig.10

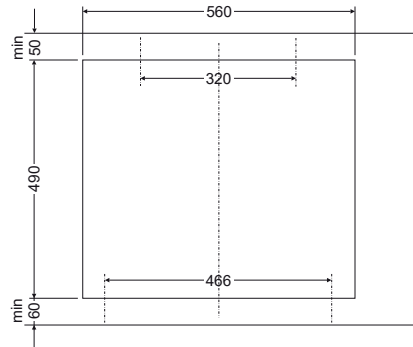


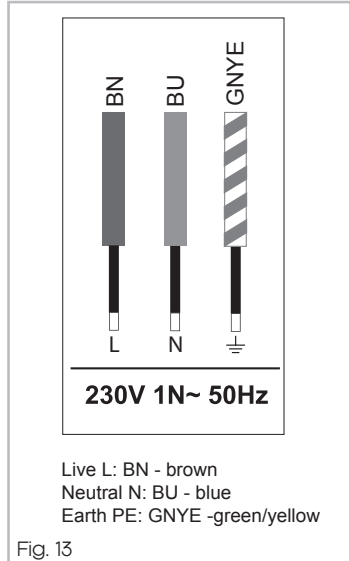
Fig.12

# Mains Electricity Connection

**Warning! This appliance must be earthed.**

We recommend that the appliance is connected by a qualified electrician, who is a member of the N.I.C.E.I.C. and who will comply with the I.E.T. and local regulations.

**This appliance is intended to be connected to fixed wiring and is not suitable for connection to a 13A plug or 13A supply.**

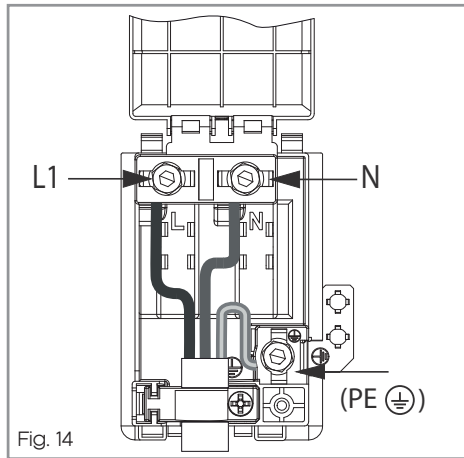


**This appliance is intended to be connected to fixed wiring by a double pole switch, having a contact separation of at least 3mm in all poles. The switch must be positioned no further than 2m from the appliance.**

## **Please note:**

- The mains cable must only be replaced by a qualified electrician or service engineer and must be of equivalent or better rating (i.e. 4mm<sup>2</sup>, HO5VV-F).
- This appliance is intended to be connected to the mains supply with a cable of cross sectional area 4mm<sup>2</sup>.

- The current rating of the fuse or circuit breaker protecting this appliance should be marked on the socket outlet.
- Assembly and electrical connection should be carried out by specialised personnel.
- When installing this product we recommend you seek the help of another individual.
- Should the mains cable be damaged or need to be replaced, it should only be done so by a qualified electrician or engineer. The connections to the hob are shown below;



- Ensure that the leads are securely fitted. Failure to do so may prevent the hob from operating correctly.

Appliance electrical rating: 6500W