

DEAR CUSTOMER,

Carefully read the operating instructions before plugging dishwasher to a power outlet and using the appliance. Operating instruction include tips that will help you avoid the risk of injury and damage to the appliance.

Keep dishwasher documentation in a safe place for possible future use.

These operating instructions have been prepared for a range of appliances and some features described herein may not apply to your appliance.

1 Switch on the appliance

→ Open the door, press the Power button to switch on the appliance

2 Fill the detergent dispenser

- To open the dispenser, turn the cap to the "open" (left) arrow and lift it out.
- Pour the rinse aid into the dispenser, be careful not to overflow.
- Replace the cap by inserting it aligned with "open" arrow and turning it to the "closed" (right) arrow.

3 Check the regeneration salt level

- Remove the lower basket and then unscrew and remove the cap from the salt container.
- If you are filling the container for the first time, fill 2/3 of its volume with water (around 500 ml).

4 Load the baskets

- Scrape off any large amount of leftover food.
- Soften remnants of burnt food in pans, then load the baskets. Refer to the dishwasher loading instructions.

5 Select a programme

→ Close the door, press the "Power" button, Press the "Program" button to select a desired "Wash cycle". (See the section entitled "Wash Cycle Table"). Page 2.

6 Running the dishwasher

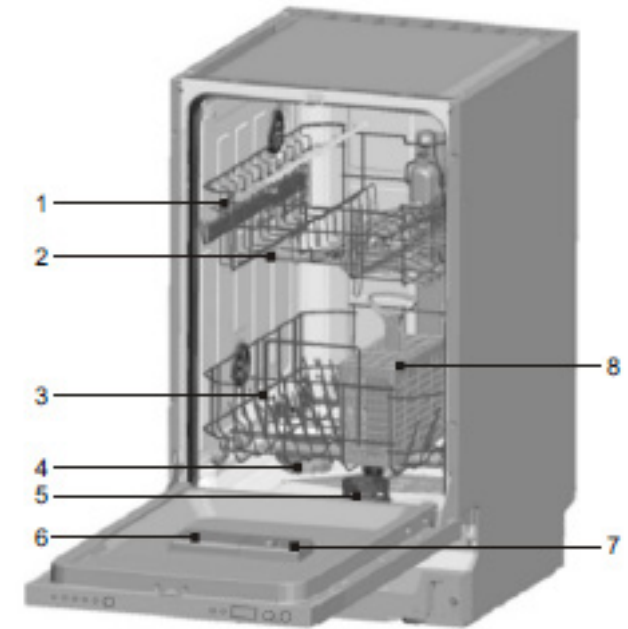
- Close the door. A click could be heard when the door is closed perfectly.
- The machine will start working after about 10 seconds.

7 Switch off the appliance

- When the working cycle has finished, the buzzer of dishwasher will ring for 6 times, then stop.
- Turn off the appliance using the "Power" button, shut off the water supply and open the door of the dishwasher.

8 Turn off the water tap, unload the baskets

- Wait a few minutes before unloading the dishwasher to avoid handling the dishes and utensils while they are still hot and more susceptible to breakage. They will also dry better.



9 Features and components

- Upper Basket
- Spray Arms
- Lower Basket
- Water Softener
- Filters
- Detergent Dispenser
- Rinse Aid Dispenser
- Cutlery basket

TABLE OF PROGRAMMES: **ZZG 446C / (MP 416 AGW)**

L.P.	Programme name	Temp. optional [°C]	Cycle Selection Information	Soil level	Amount of detergent	Description of the cycle						Pro-gramme duration [min]*	Energy consumption [kWh]*	Water consumption [l]*
						Pre-wash	Main wash	Rinse 1	Rinse 2	Hot rinse	Drying			
1	Intensive	60°	For the heaviest soiled loads, such as pots, pans, casserole dishes and dishes that have been sitting with dried food on them for a while.	Heavily soiled	5g/22g (or 3 in 1)	Pre-wash	Main wash 60 °C	Rinse 1	Rinse 2	Hot rinse	Drying	186	1.30	13.0
2	**Eco	46°	For normally soiled loads, such as pots, plates, glasses and lightly soiled pans. Standard daily cycle.	Normal soil	5g/22g (or 3 in 1)	Pre-wash	Main wash 46 °C	Rinse	Hot rinse	Drying		216	0.682	8.5
3	Light	45°	Light wash cycle to be used for more delicate items which are sensitive to high temperatures. (Run cycle immediately after use)	Light soil	5g/20g (or 3 in 1)	Main wash 45 °C	Rinse	Hot rinse	Drying			144	0.68	10.5
4	60'	60°	For lightly and normally soiled plates and pans for every day.	Light soil	5g/20g	Main wash 60 °C	Hot rinse	Drying				60	0.80	8.5
5	Rapid	45°	A shorter wash for lightly soiled loads that do not need drying.	Light soil	20g	Main wash 45 °C	Hot rinse					40	0.53	5.5
6	Pre-Rinse	-	To rinse dishes that you plan to wash later that day	-	-	Pre-wash						12	0.01	3.3

** Standard programme This is a reference program for research institutes. Tests according to EN 50242. This programme is suitable for washing normally soiled tableware. This is the most effective programme taking into account the total energy and water consumption for this kind of tableware.

* Programme duration, energy and water consumption value given in the table have been determined under laboratory conditions. The actual values can differ.

QUICK START GUIDE: ZZG 446C / (MP 416 AGW)

DEAR CUSTOMER,

Carefully read the operating instructions before plugging dishwasher to a power outlet and using the appliance. Operating instruction include tips that will help you avoid the risk of injury and damage to the appliance.

Keep dishwasher documentation in a safe place for possible future use.

These operating instructions have been prepared for a range of appliances and some features described herein may not apply to your appliance.

1 Switch on the appliance

- Open the door, press the Power button to switch on the appliance

2 Fill the detergent dispenser

- To open the dispenser, turn the cap to the "open" (left) arrow and lift it out.
- Pour the rinse aid into the dispenser, be careful not to overfill.
- Replace the cap by inserting it aligned with "open" arrow and turning it to the "closed" (right) arrow.

3 Check the regeneration salt level

- Remove the lower basket and then unscrew and remove the cap from the salt container.
- If you are filling the container for the first time, fill 2/3 of its volume with water (around 500 ml).

4 Load the baskets

- Scrape off any large amount of leftover food.
- Soften remnants of burnt food in pans, then load the baskets. Refer to the dishwasher loading instructions.

5 Select a programme

- Close the door, press the "Power" button, Press the "Program" button to select a desired "Wash cycle". (See the section entitled "Wash Cycle Table"). Page 2.

6 Running the dishwasher

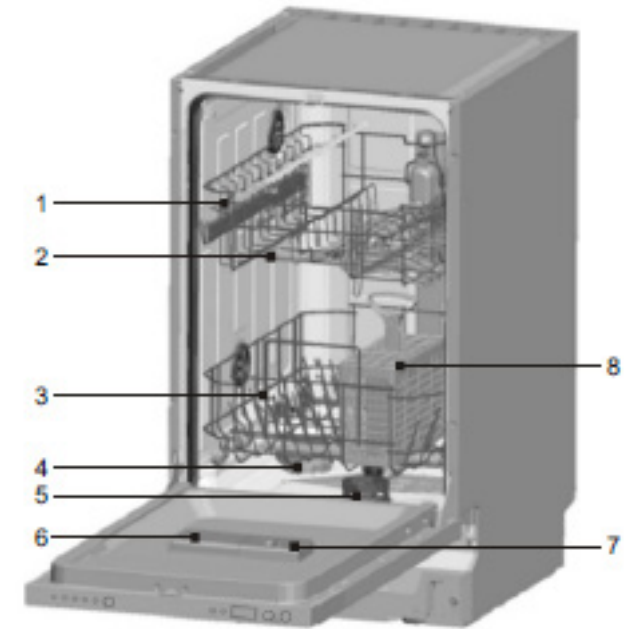
- Close the door. A click could be heard when the door is closed perfectly.
- The machine will start working after about 10 seconds.

7 Switch off the appliance

- When the working cycle has finished, the buzzer of dishwasher will ring for 6 times, then stop.
- Turn off the appliance using the "Power" button, shut off the water supply and open the door of the dishwasher.

8 Turn off the water tap, unload the baskets

- Wait a few minutes before unloading the dishwasher to avoid handling the dishes and utensils while they are still hot and more susceptible to breakage. They will also dry better.



9 Features and components

- Upper Basket
- Spray Arms
- Lower Basket
- Water Softener
- Filters
- Detergent Dispenser
- Rinse Aid Dispenser
- Cutlery basket

TABLE OF PROGRAMMES: **ZZG 446C / (MP 416 AGW)**

L.P.	Programme name	Temp. optional [°C]	Cycle Selection Information	Soil level	Amount of detergent	Description of the cycle						Pro-gramme duration [min]*	Energy consumption [kWh]*	Water consumption [l]*
						Pre-wash	Main wash	Rinse 1	Rinse 2	Hot rinse	Drying			
1	Intensive	60°	For the heaviest soiled loads, such as pots, pans, casserole dishes and dishes that have been sitting with dried food on them for a while.	Heavily soiled	3g/14g (or 3 in 1)	Pre-wash	Main wash 60 °C	Rinse 1	Rinse 2	Hot rinse	Drying	186	1.30	13.0
2	**Eco	46°	For normally soiled loads, such as pots, plates, glasses and lightly soiled pans. Standard daily cycle.	Normal soil	3g/14g (or 3 in 1)	Pre-wash	Main wash 46 °C	Rinse	Hot rinse	Drying		216	0.704	8.5
3	Light	45°	Light wash cycle to be used for more delicate items which are sensitive to high temperatures. (Run cycle immediately after use)	Light soil	3g/12g (or 3 in 1)	Pre-wash	Main wash 45 °C	Rinse	Hot rinse	Drying		144	0.68	10.5
4	60'	60°	For lightly and normally soiled plates and pans for every day.	Light soil	3g/12g	Pre-wash	Main wash 60 °C	Hot rinse	Drying			60	0.80	8.5
5	Rapid	45°	A shorter wash for lightly soiled loads that do not need drying.	Light soil	12g	Main wash	Hot rinse					40	0.53	5.5
6	Pre-Rinse	-	To rinse dishes that you plan to wash later that day	-	-	Pre-wash						12	0.01	3.3

** Standard programme This is a reference program for research institutes. Tests according to EN 60436. This programme is suitable for washing normally soiled tableware. This is the most effective programme taking into account the total energy and water consumption for this kind of tableware.

* Programme duration, energy and water consumption value given in the table have been determined under laboratory conditions. The actual values can differ.