

Dear Customer,

This Quick Start Guide is enclosed with detailed dishwasher Operating Instructions. Before using the appliance carefully read the Operating Instructions, especially guidelines for safe use.

Before plugging your dishwasher into the mains power, remove the safety packaging. Do not start the dishwasher before it is properly set up.

1 Turn on the appliance

→ Open the door, touch the on/off button.

2 Dispense detergent

→ Press the latch to open the detergent dispenser.

→ Add detergent to the dispenser.

3 Check the special salt level

→ Add special salt to the dispenser when the corresponding indicator on the control panel comes on.

4 Load the dishes

→ Remove food leftovers from the dishes

→ Place the dishes in the baskets according to loading guidelines.

→ It is recommended to load the lower basket first, then the upper basket.

5 Select the wash programme

→ Select the desired programme and its indicator will light up.

6 Start your dishwasher

→ Close the dishwasher door.

→ The dishwasher will start a wash programme.

7 Turn off the appliance

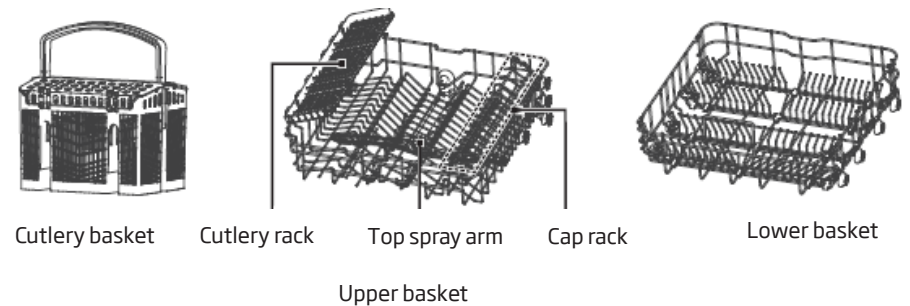
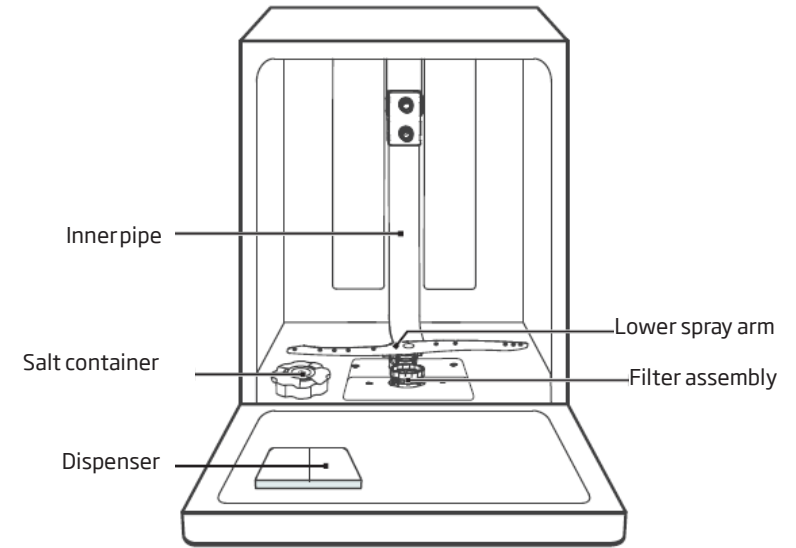
→ Turn off the appliance using the [on/off] button

8 Remove dishes from the appliance

→ When the dishwasher is off, open the door and wait about 15 minutes before removing the dishes. This will also facilitate the drying process. Hot dishes are more susceptible to cracking.

9 Features and components

- Spray arms
- Cutlery basket
- Upper basket
- Inner tube
- Lower basket
- Salt container
- Detergent dispenser
- Mugs and cups shelves
- Main filter
- Water supply hose connection
- Water drain hose
- Door hinge adjustment



NOTE: Figures are for illustrative purposes only Individual models may vary.

TABLE OF WASH PROGRAMMES: ZWM 615WB.1

ITEM	Programme name	The default temperature [°C]	Type of soil	Soil level	Amount of detergent	Type of cycle						Duration [min.]*	Power consumption [kWh]*	Water consumption [Litres]*
1	Intensive	65°	Heavily soiled dishes with dried food residue	Heavy soil	5g/20g (1 or 2 pieces)	Pre-wash 50°C	Wash 65°C	Rinse	Rinse	Rinse 65°C	Dry	205	1.621	17.8
2	Universal	55°	For normally soiled crockery, such as pots, plates, glasses and lightly soiled pans.	Normal soil	5g/20g (1 or 2 pieces)	Pre-wash 45°C	Wash 55°C	Rinse	Rinse 65°C	Dry		175	1.302	14.3
3	**ECO	45°	Lightly soiled glass-ware and porcelain	Light soil	5g/20g (1 or 2 pieces)	Wash 45°C	Rinse	Rinse 60 °C	Dry			220	0.908	11.0
4	90 min	60°	For normally soiled loads that need quick wash.	Light soil	30g (1 piece)	Wash 60°C	Rinse	Rinse 65°C	Dry			90	1.350	11.7
5	Rapid	50°	A shorter wash for lightly soiled loads that do not need drying.	Light soil	25g	Wash 50°C	Rinse	Rinse 45 °C				30	0.751	11.2

** Standard programme This is a reference program for research institutes. Tests according to EN 50242. This programme is suitable for washing normally soiled tableware. This is the most effective programme taking into account the total energy and water consumption for this kind of tableware.

* Programme duration, energy and water consumption value given in the table have been determined under laboratory conditions. Actual values can vary.

Dear Customer,

This Quick Start Guide is enclosed with detailed dishwasher Operating Instructions. Before using the appliance carefully read the Operating Instructions, especially guidelines for safe use.

Before plugging your dishwasher into the mains power, remove the safety packaging. Do not start the dishwasher before it is properly set up.

1 Turn on the appliance

- Open the door, touch the on/off button.

2 Dispense detergent

- Press the latch to open the detergent dispenser.
- Add detergent to the dispenser.

3 Check the special salt level

- Add special salt to the dispenser when the corresponding indicator on the control panel comes on.

4 Load the dishes

- Remove food leftovers from the dishes
- Place the dishes in the baskets according to loading guidelines.
- It is recommended to load the lower basket first, then the upper basket.

5 Select the wash programme

- Select the desired programme and its indicator will light up.

6 Start your dishwasher

- Close the dishwasher door.
- The dishwasher will start a wash programme.

7 Turn off the appliance

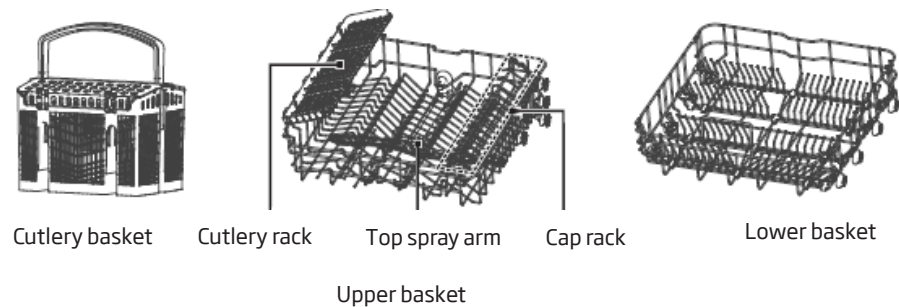
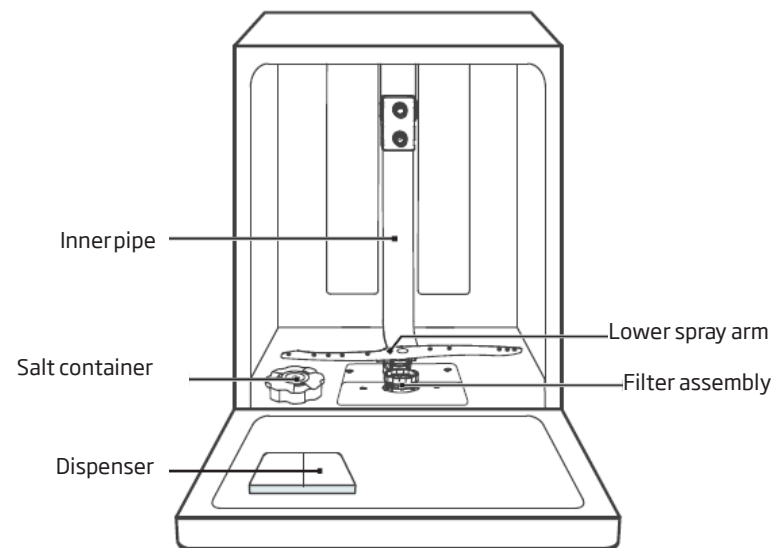
- Turn off the appliance using the [on/off] button

8 Remove dishes from the appliance

- When the dishwasher is off, open the door and wait about 15 minutes before removing the dishes. This will also facilitate the drying process. Hot dishes are more susceptible to cracking.

9 Features and components

- Spray arms
- Cutlery basket
- Upper basket
- Inner tube
- Lower basket
- Salt container
- Detergent dispenser
- Mugs and cups shelves
- Main filter
- Water supply hose connection
- Water drain hose
- Door hinge adjustment



NOTE: Figures are for illustrative purposes only Individual models may vary.

TABLE OF WASH PROGRAMMES: ZWM 615WB.1

ITEM	Programme name	The default temperature [°C]	Type of soil	Soil level	Amount of detergent	Type of cycle						Duration [min.]*	Power consumption [kWh]*	Water consumption [Litres]*
1	Intensive	65°	Heavily soiled dishes with dried food residue	Heavy soil	4g/16g (1 or 2 pieces)	Pre-wash 50°C	Wash 65°C	Rinse	Rinse	Rinse 65°C	Dry	205	1.621	17.8
2	Universal	55°	For normally soiled crockery, such as pots, plates, glasses and lightly soiled pans.	Normal soil	4g/16g (1 or 2 pieces)	Pre-wash 45°C	Wash 55°C	Rinse	Rinse 65°C	Dry		175	1.302	14.3
3	**ECO	45°	Lightly soiled glass-ware and porcelain	Light soil	4g/16g (1 or 2 pieces)	Wash 45°C	Rinse	Rinse 60 °C	Dry			220	0.923	11.0
4	90 min	60°	For normally soiled loads that need quick wash.	Light soil	20g (1 piece)	Wash 60°C	Rinse	Rinse 65°C	Dry			90	1.350	11.7
5	Rapid	50°	A shorter wash for lightly soiled loads that do not need drying.	Light soil	20g (1 or 2 pieces)	Wash 50°C	Rinse	Rinse 45 °C				30	0.751	11.2

** Standard programme This is a reference program for research institutes. Tests according to EN 60436. This programme is suitable for washing normally soiled tableware. This is the most effective programme taking into account the total energy and water consumption for this kind of tableware.

* Programme duration, energy and water consumption value given in the table have been determined under laboratory conditions. Actual values can vary.